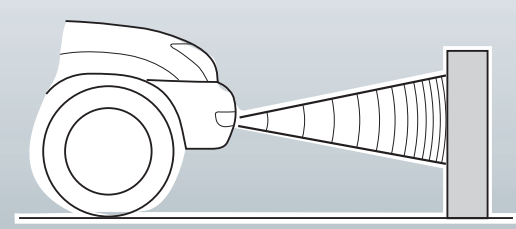


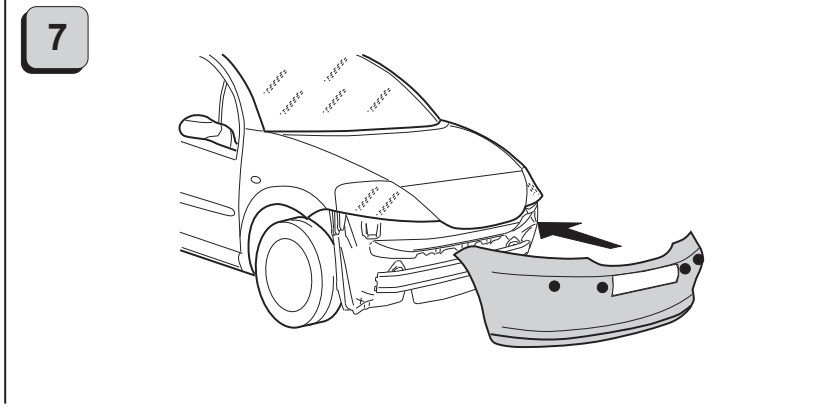
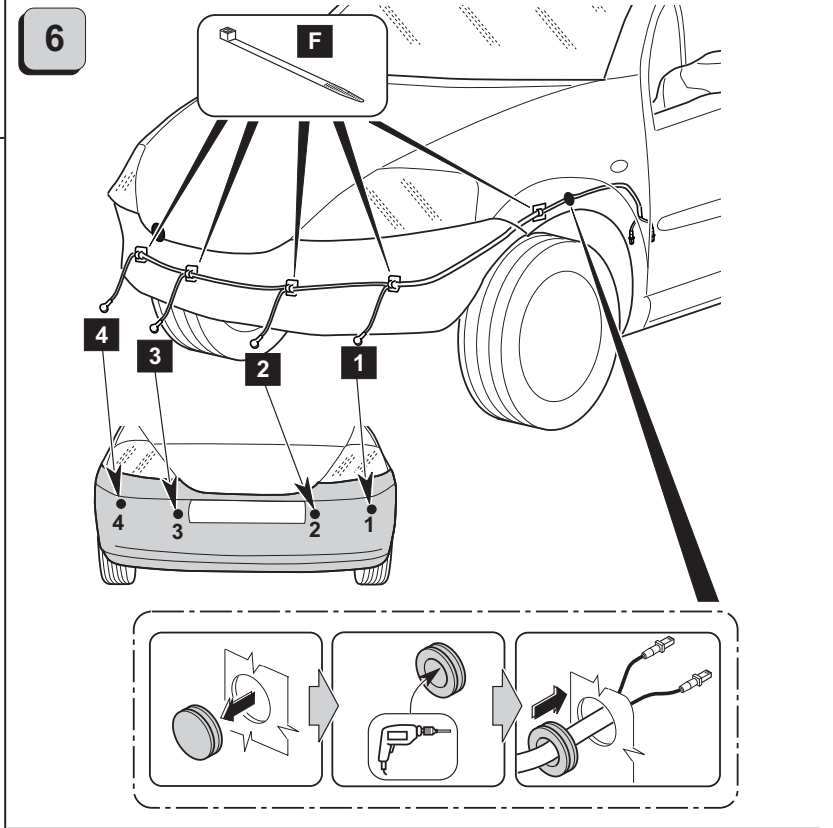
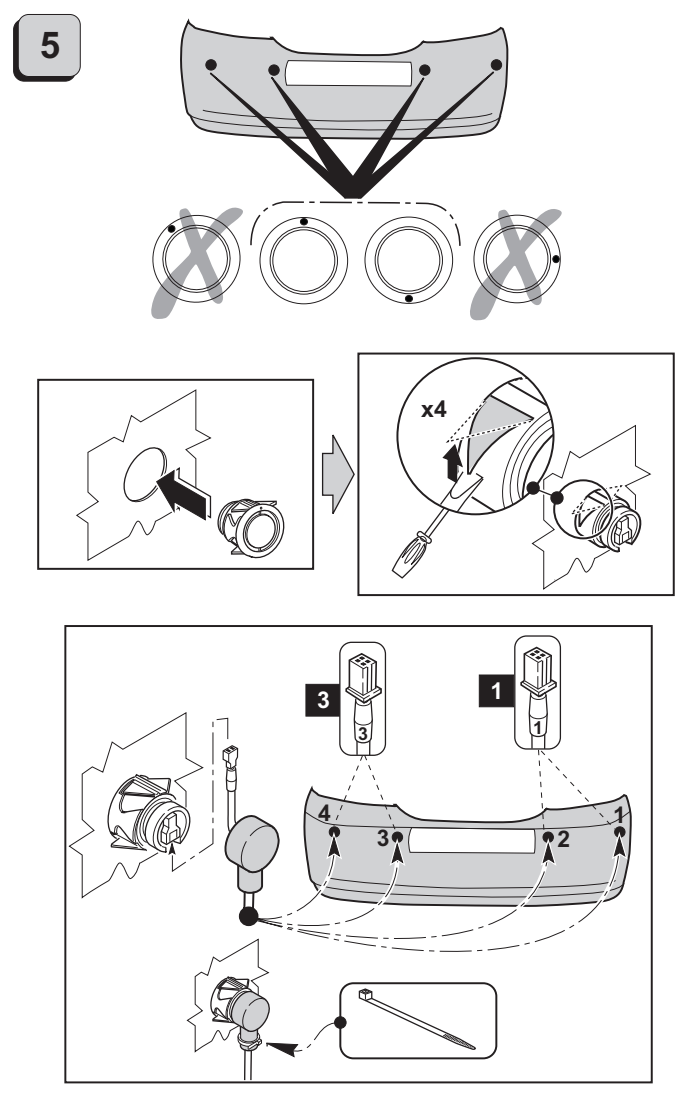
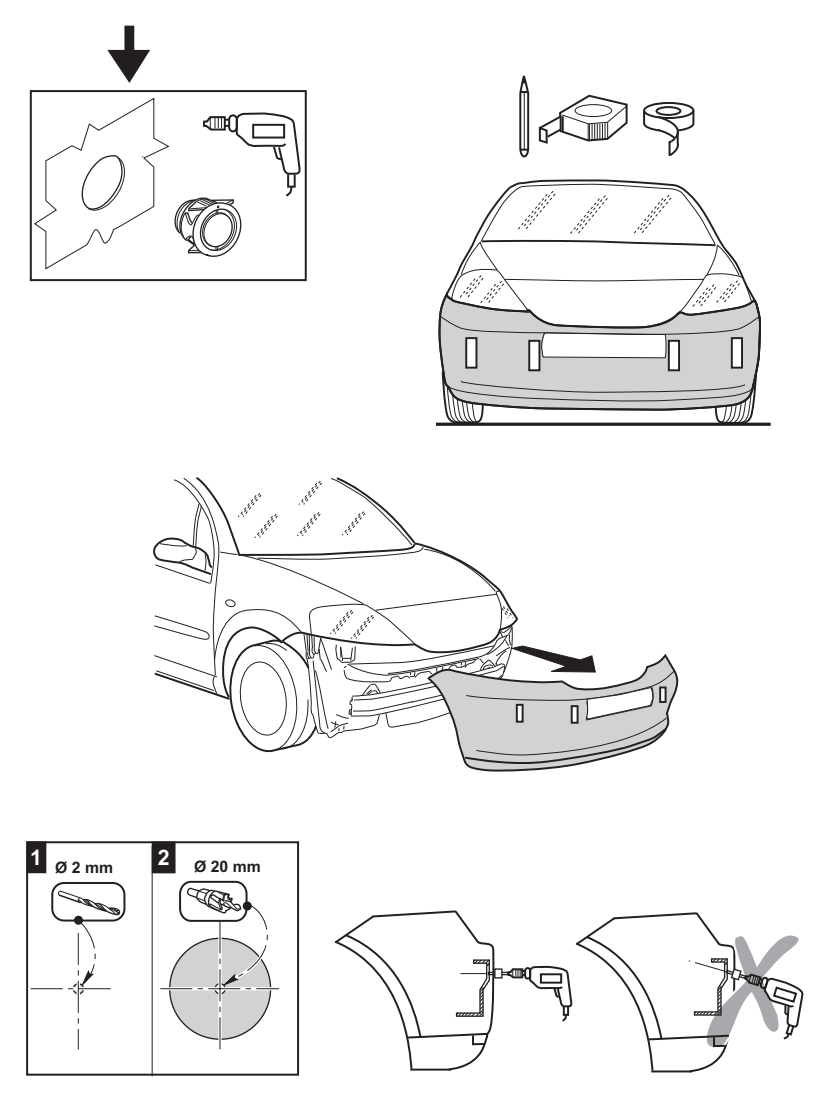
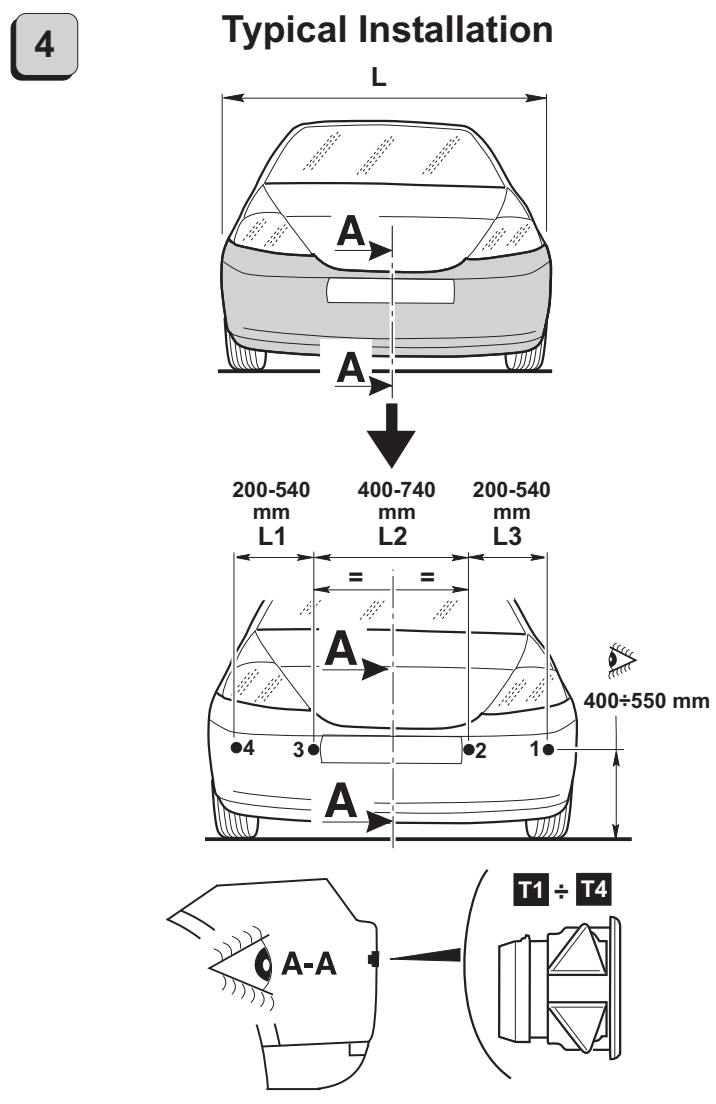
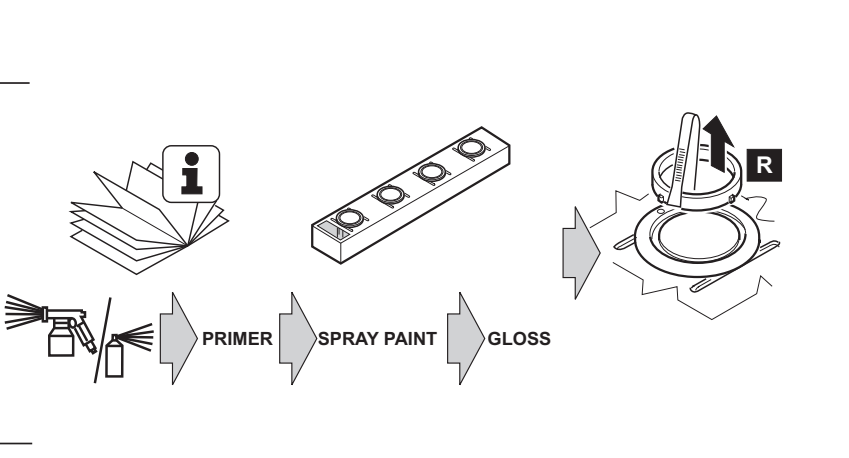
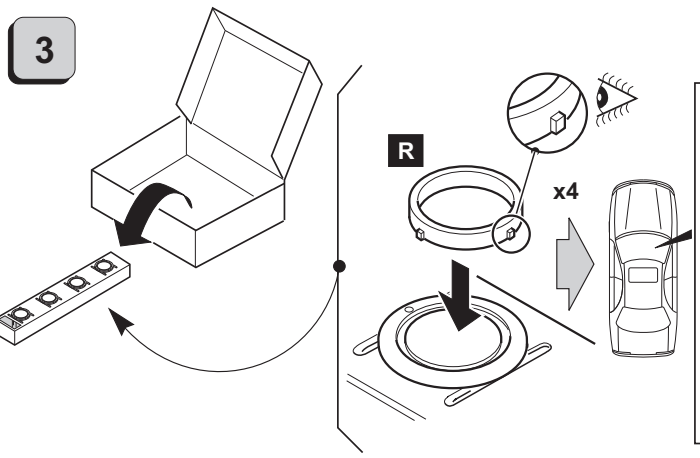
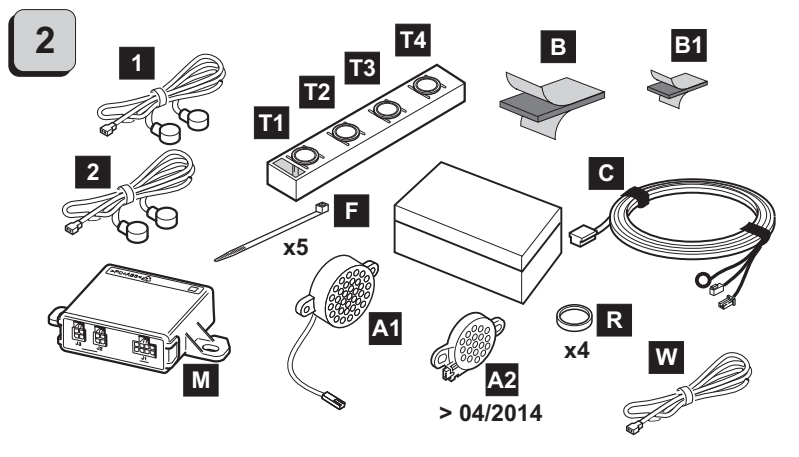
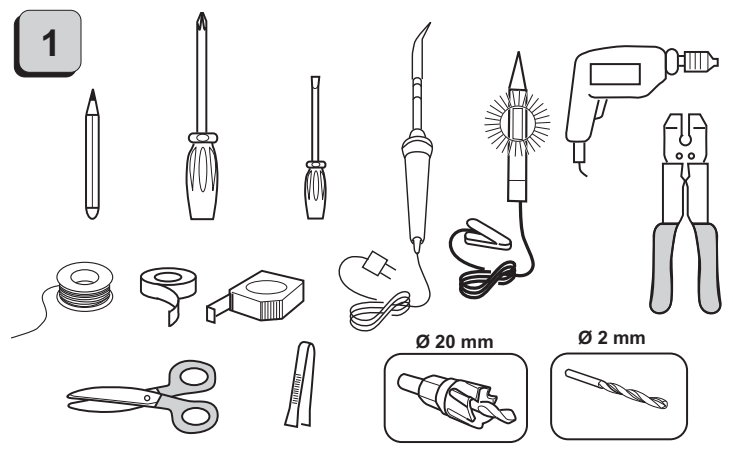


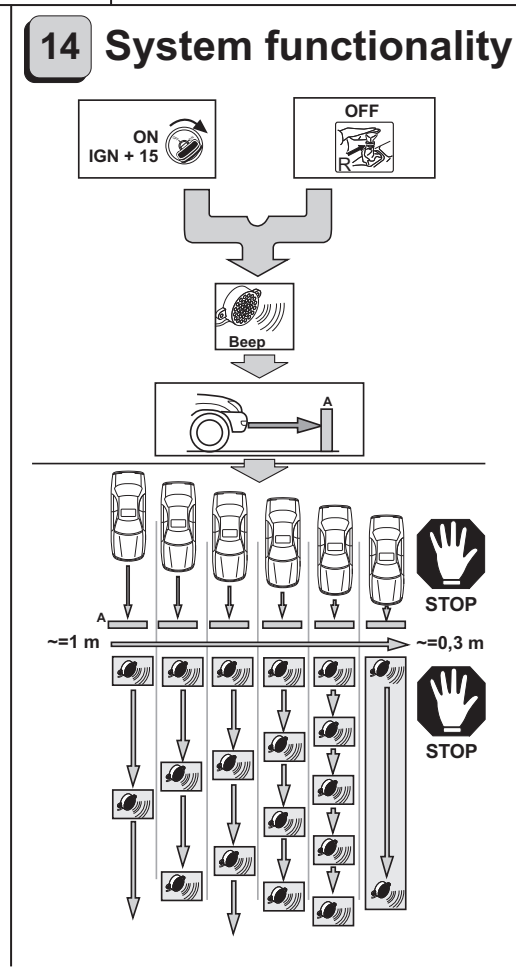
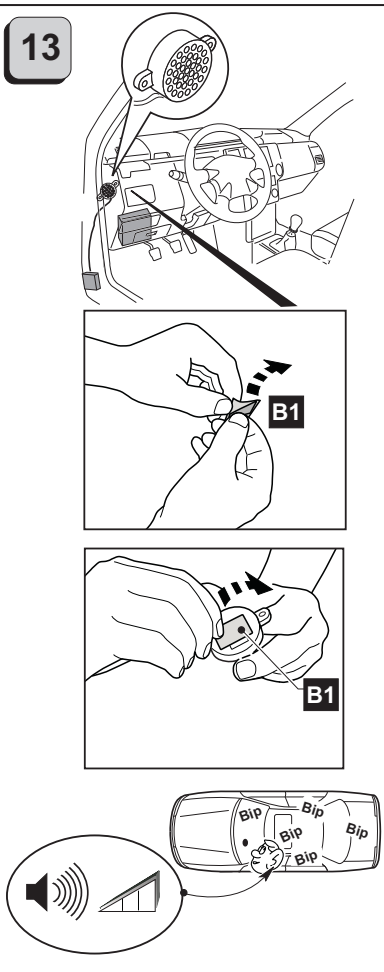
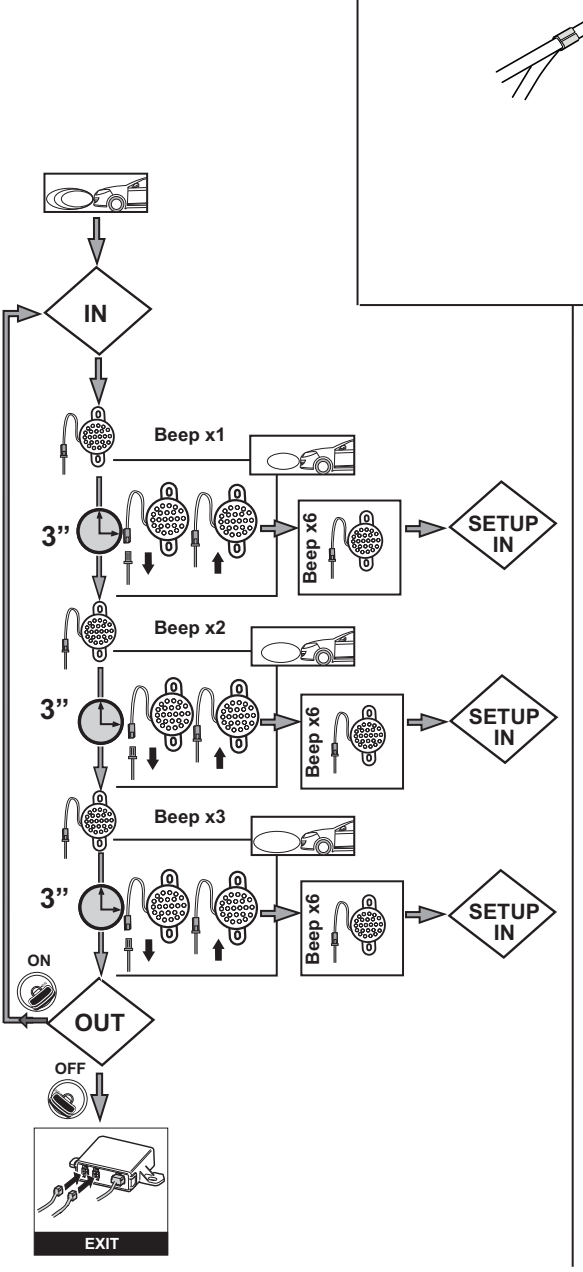
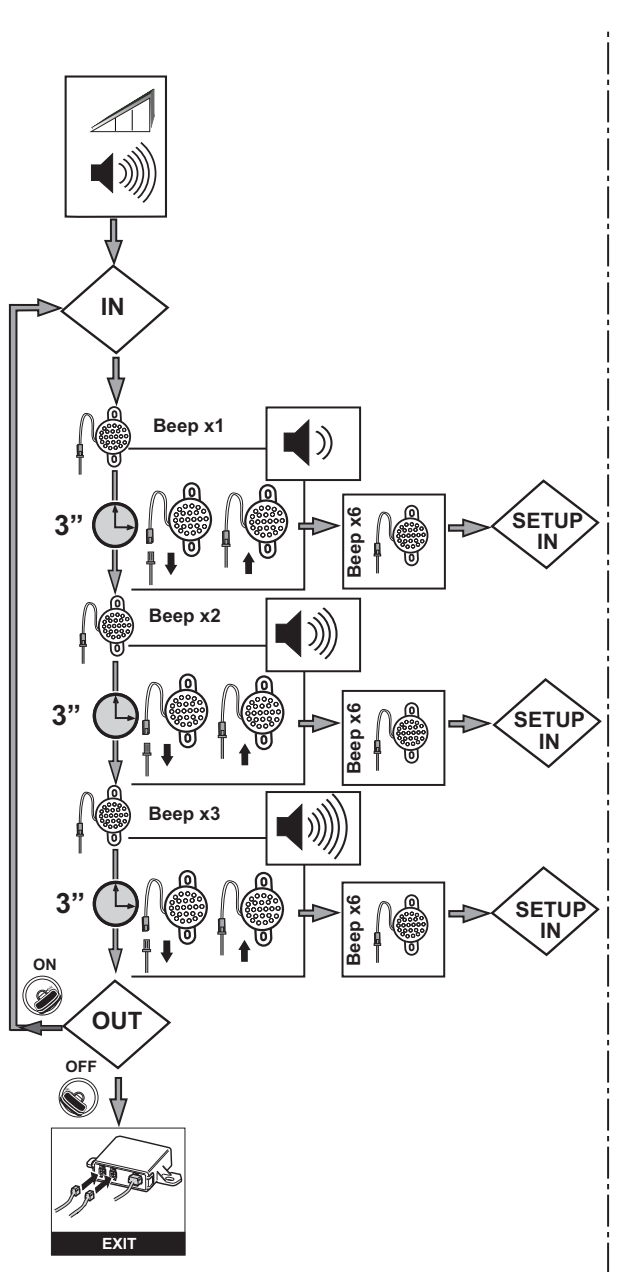
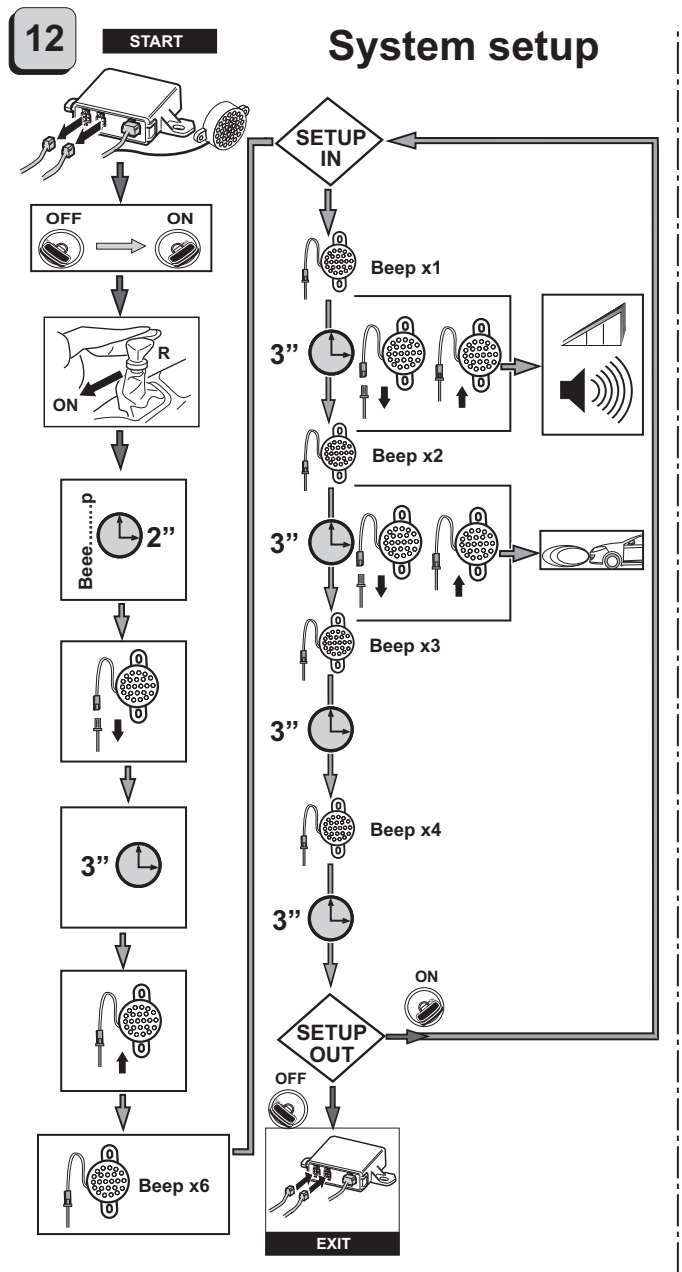
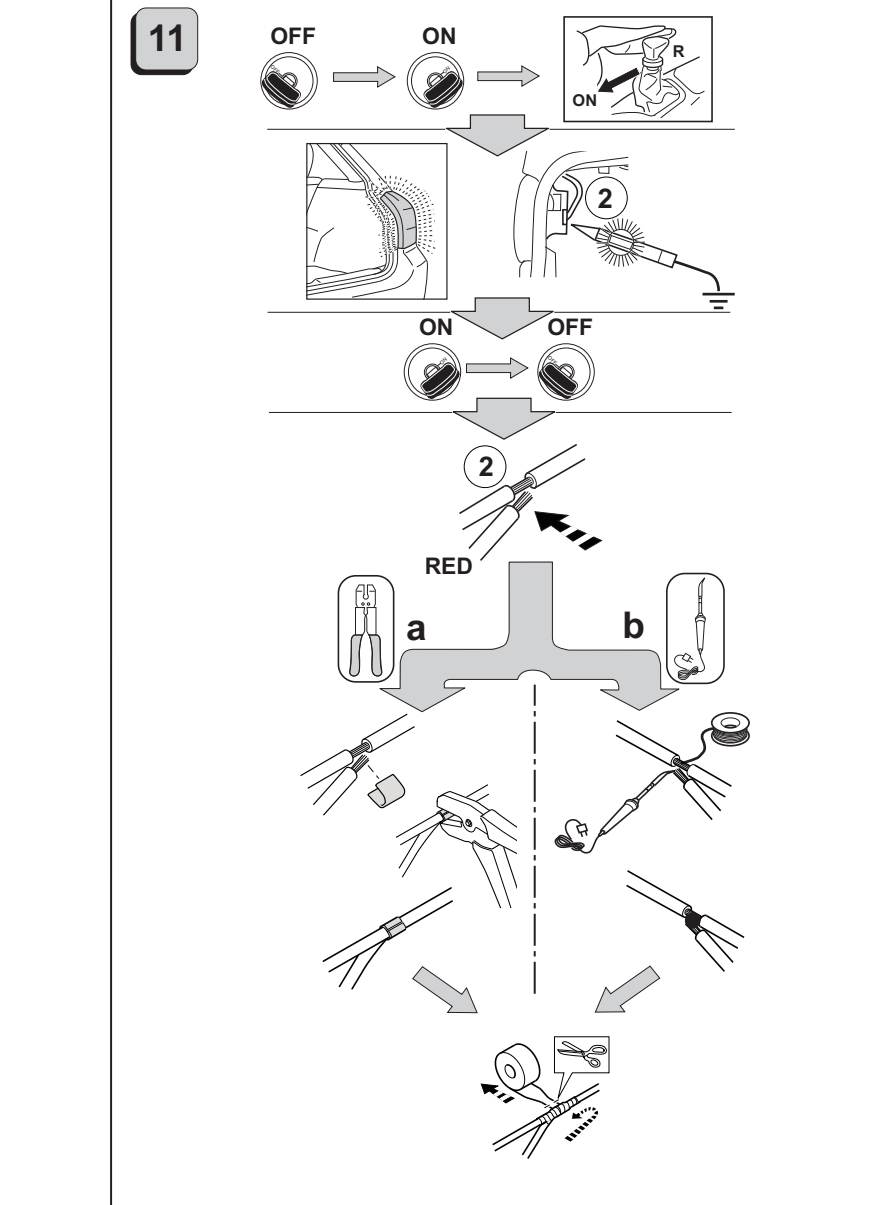
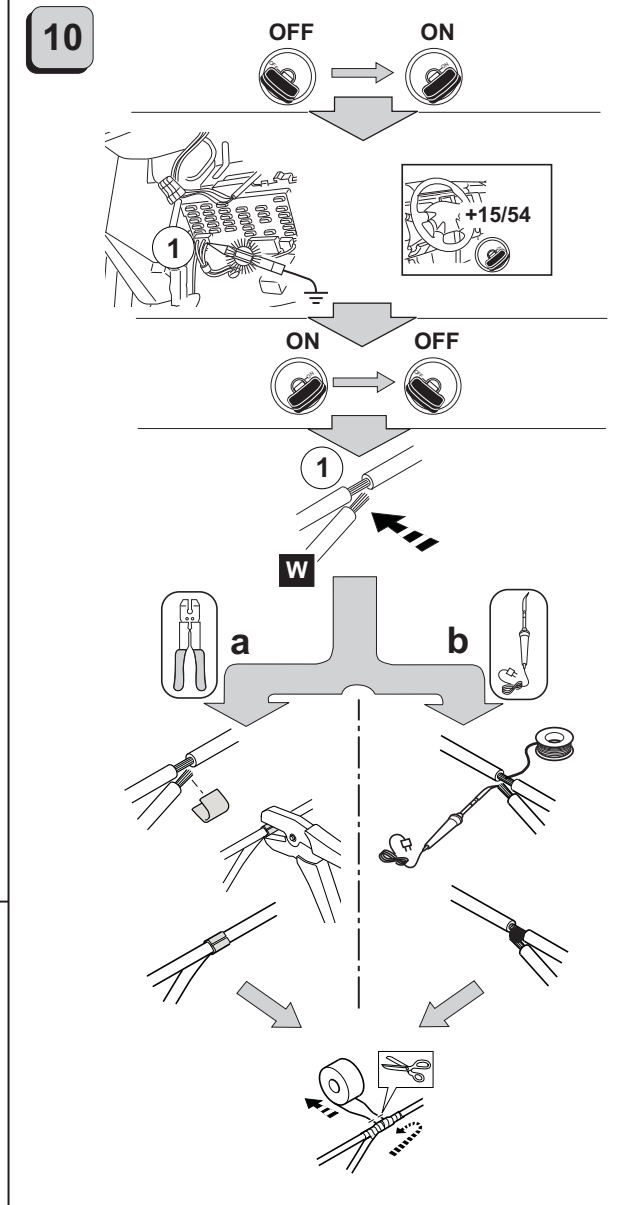
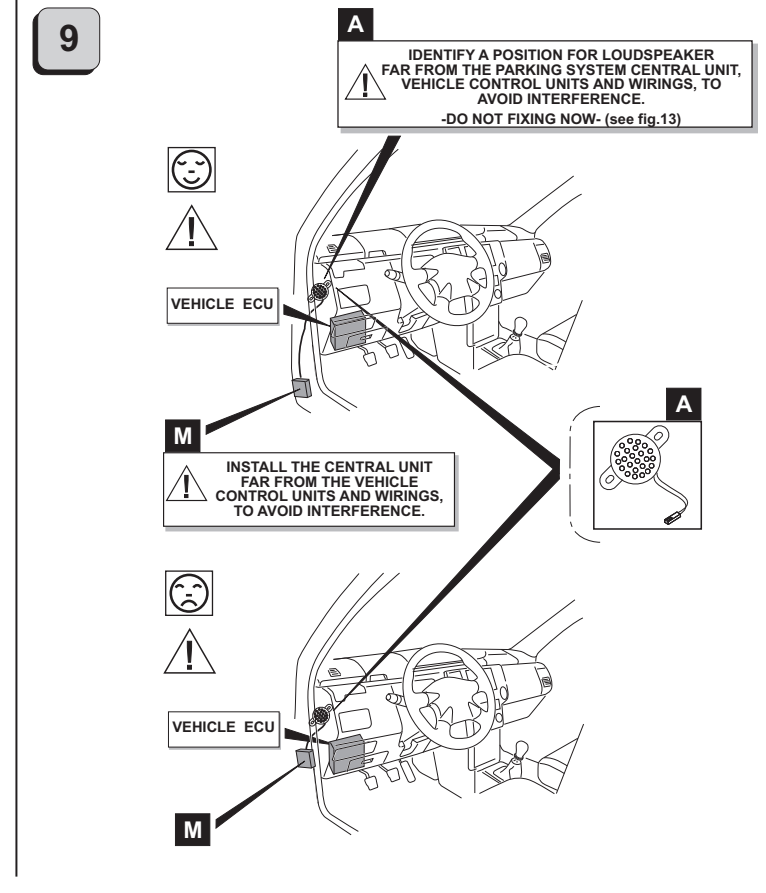
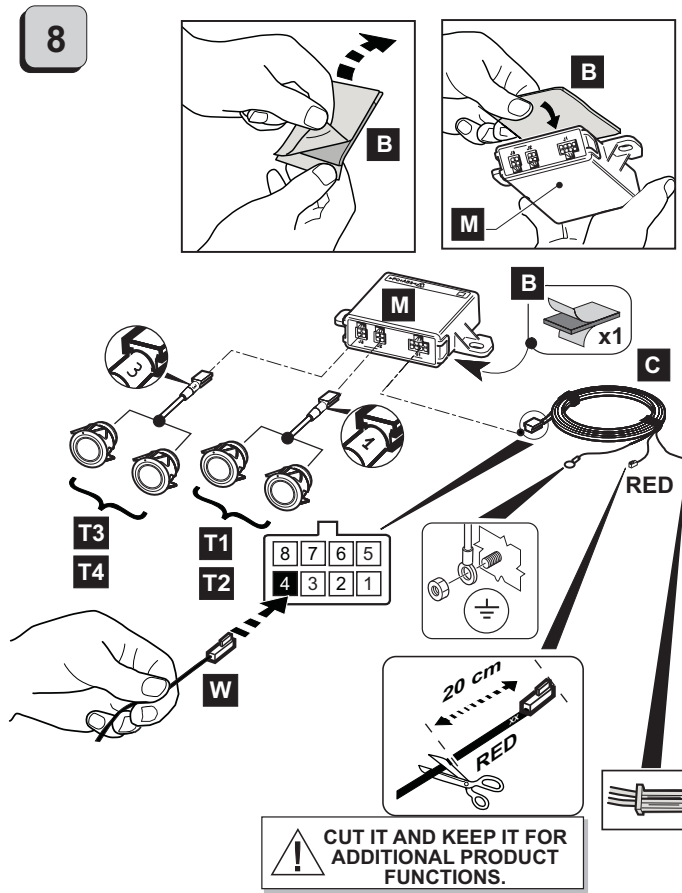
PARK MASTER FRONT F194 - F294



Cod. 06DE3784D date 11/2013

Cobra Automotive Technologies
Via Astico 41 - 21100 VARESE - ITALY
www.cobra-at.com





12 VDC.

+15/54

A < 30 mA typ.

-40° C + +85° C

ELECTRICAL/ELECTRONIC SUB-ASSEMBLY WAS APPROVED WITH REGARD TO:
 E/CEC/024-E/CEC/TRANS/505 Add 9/Rev 3 Regulation No. 10 UNIFORM PROVISIONS CONCERNING THE APPROVAL OF VEHICLES WITH REGARD TO ELECTROMAGNETIC COMPATIBILITY.

Activation / Deactivation push button.
Order: RV3608EUSAA
(If not contained in the kit)

FOR ADDITIONAL FUNCTIONS SEE "INSTALLATION AND CONFIGURATION GUIDE" ON COBRA SITE.