



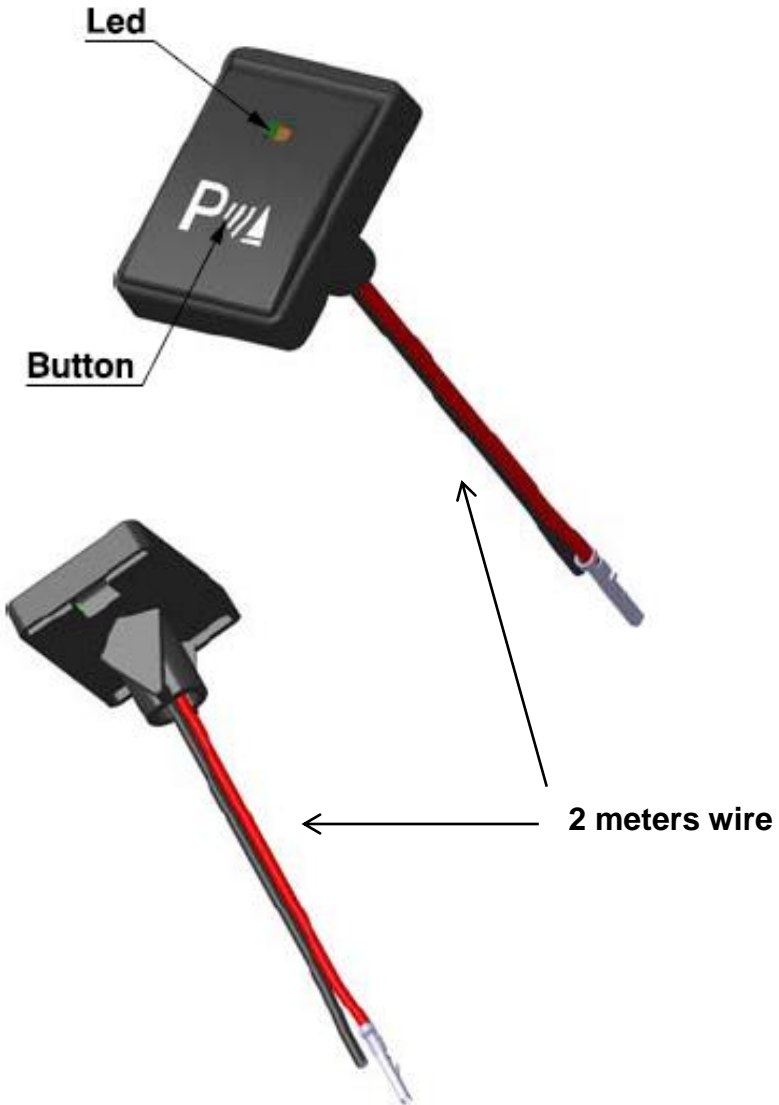
## Product info – Push button accessory for parking aid systems





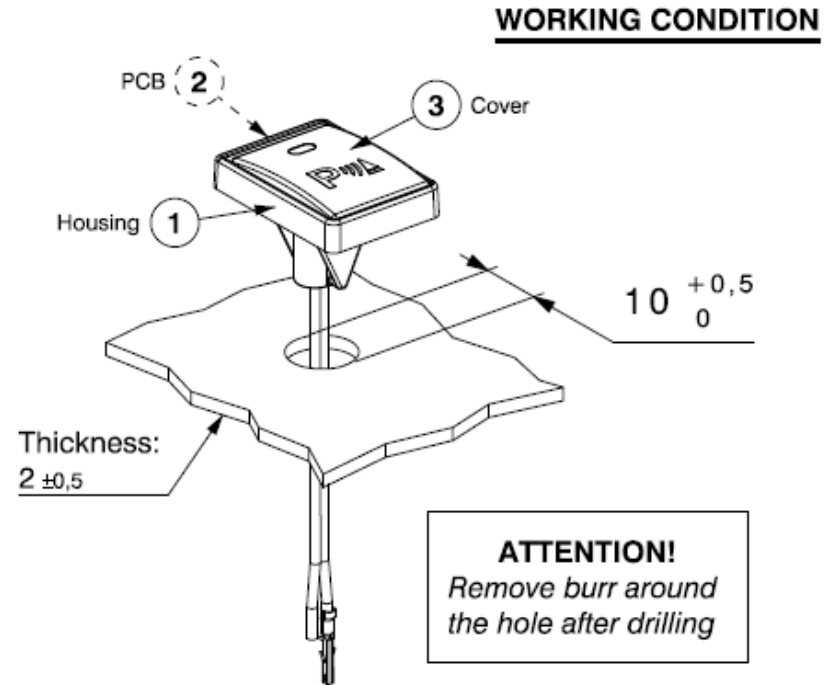
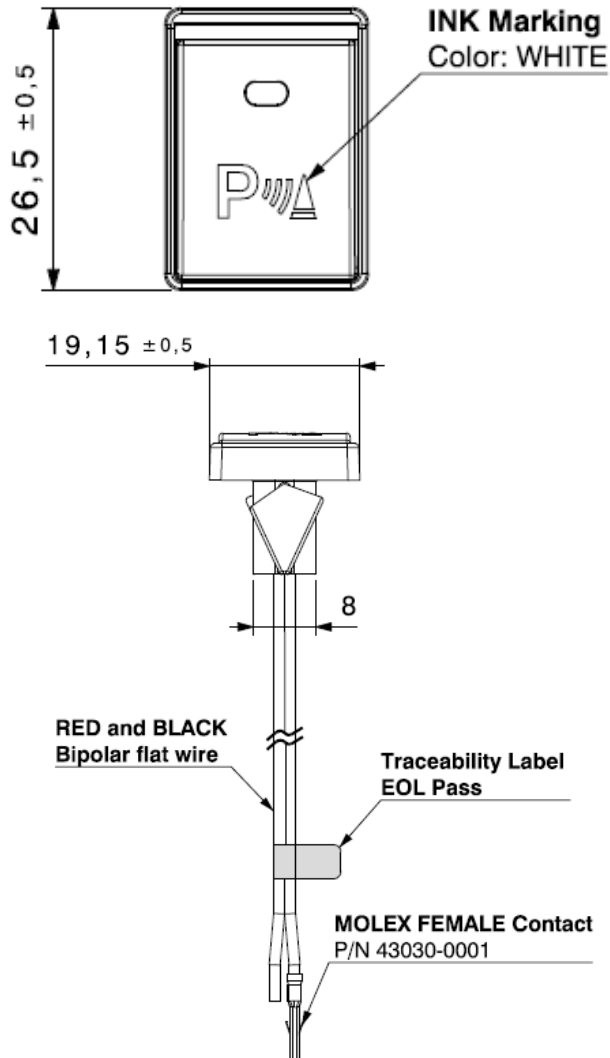
**➤ New accessory/spare part available**

<b>Vehicle:</b>	Applicable to all vehicles
<b>Cobra product range:</b>	To be used with Front parking aid system
<b>Part number:</b>	RV3637EUSAA
<b>Spare part description:</b>	On/off push button to activate/deactivate front parking aid system
<b>Advantages:</b>	<ul style="list-style-type: none"><li>-OE style with "P" marking</li><li>-different from alarm push button, avoids risk of confusion in case both antitheft and parking aid systems are installed on the same vehicle</li><li>-led is orange instead of red (red colour associated with emergency)</li></ul>
<b>Information published:</b>	Will be available in the next release of the Cobra Aftermarket product catalogue





## Technical description



GENERAL SPECIFICATION	
Operating Voltage	8V - 16V
Operating temperature	+85°C / -40°C
Degree protection specification (IP code)	IP 40
Weight	4,5g $\pm 10\%$
Mounting location	Passenger Room